

ESA Technology 6520 Output Module

- General purpose I/O module with 16 digital outputs
- Easily networks ESA Technology 5000 Family Intelligent Interfaces
- For use in conjunction with 6501 Master I/O module for networking to Modbus master devices

Communications

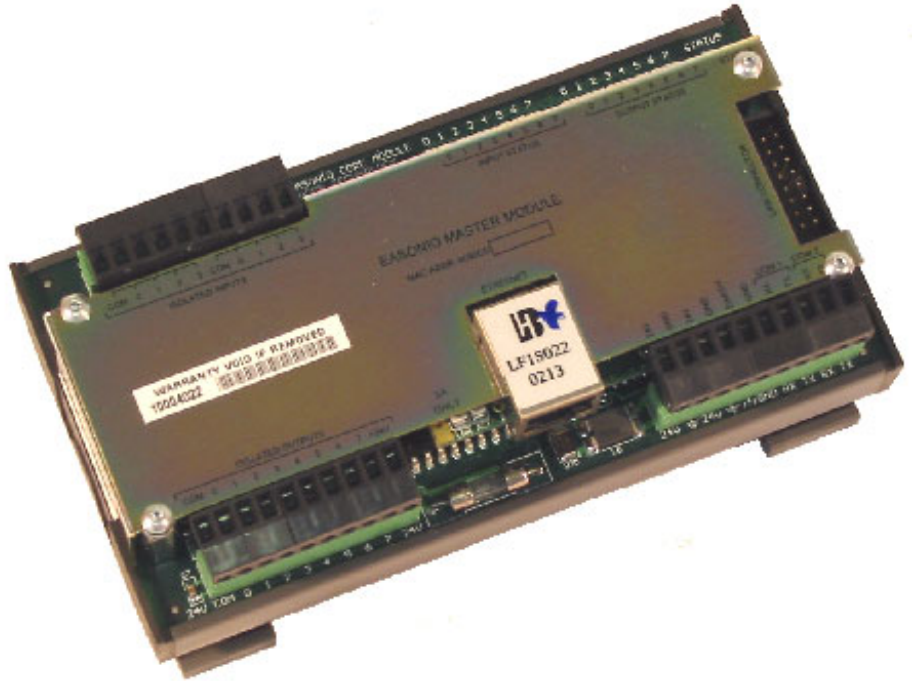
- Networks back to ESA Tech 6501 Master I/O Module via high speed local network
- Access to I/O is through Modbus registers in the Master I/O module
- Support for Additional IO Modules via High Speed Local Network

I/O

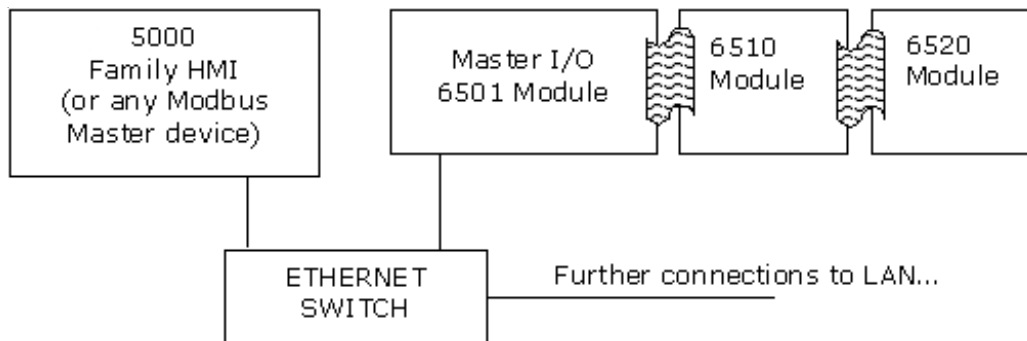
- 16 Optically-Isolated Digital Outputs
- 24V Source
- 1/2A Continuous per Point
- 4 Independent Commons

Physical

- All I/O on pluggable screw terminals
- Dimensions: 3W x 5.75L x 2H
- DIN rail mounting standard
- Plastic and metal housing



Typical Installation



SPECIFICATIONS

6520 I/O Module 16 Digital Input (sourcing)
All I/O optically isolated

OTHER I/O MODULES 6510 16 digital inputs (sink/sourcing)
6530 12 Analog In / 4 Out

HOUSING Rear housing is plastic
Front plate is stainless steel.
DIN rail mount

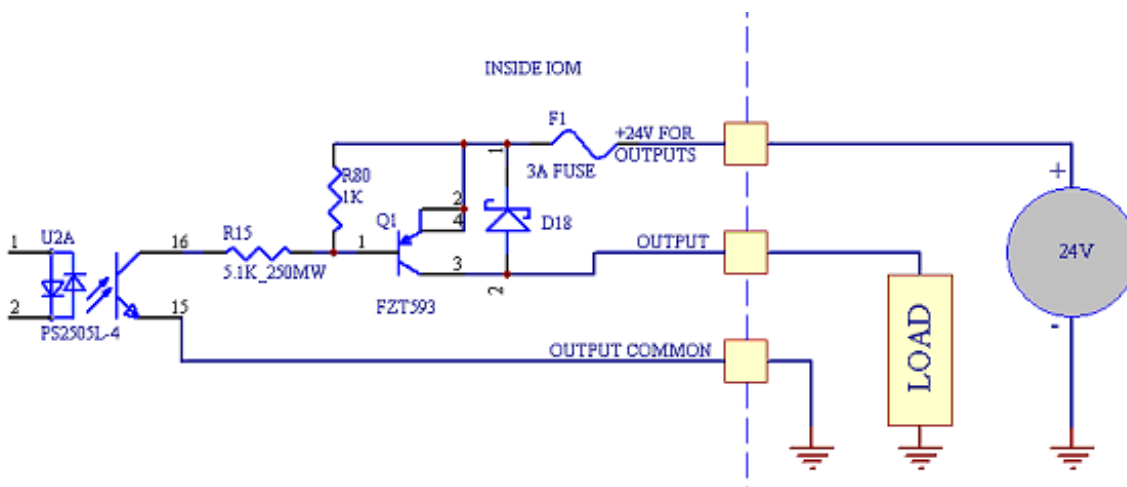
POWER Provided by network connection to master module.

ENVIRONMENT 0 to 50 C - Operating
-20 to +60 C - Storage
5% to 95% RH, non-condensing

DIMENSIONS 3"W x 4.0"L x 2"H

WEIGHT 1 lb (2.8kg)

EXAMPLE WIRING DIAGRAMS



ESA Technology, Inc

7975 Cameron Drive, Bldg 300, Windsor CA 95492

Tel. 707-837-0120 Fax 707-837-2742

<http://www.esatechnology.com>, e-mail: info@esatechnology.com