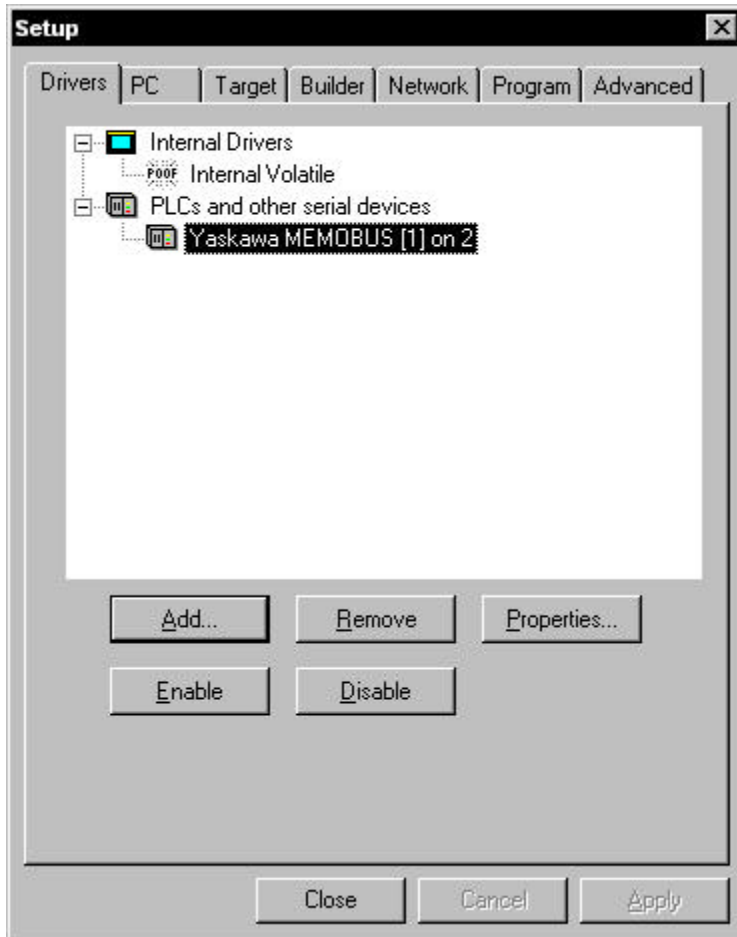
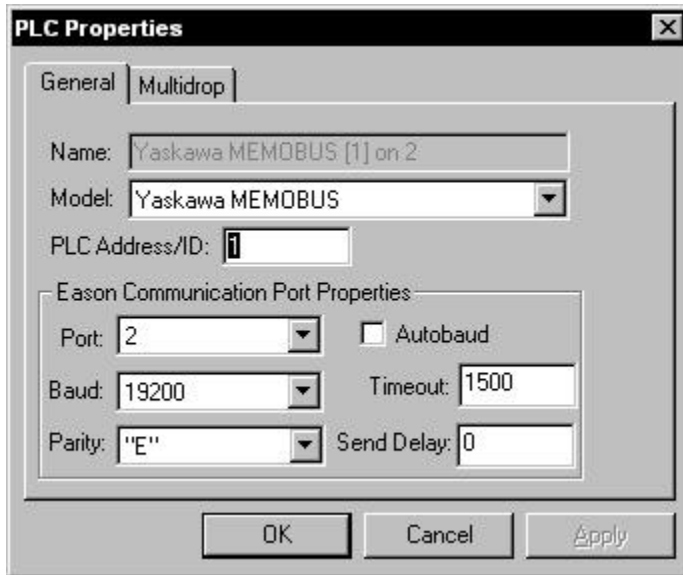


Add Yaskawa Driver To Project: Click “Setup – Project” and click to the “Drivers” tab.

Click “Add” and select the ‘Yaskawa MEMOBUS’ driver & click OK.



Configure Driver: Click on the driver to highlight it, and click on "Properties" to configure the driver.



The screenshot shows the "PLC Properties" dialog box with the "Multidrop" tab selected. The "Name" field contains "Yaskawa MEMOBUS [1] on 2". The "Model" dropdown menu is set to "Yaskawa MEMOBUS". The "PLC Address/ID" field contains the number "1". The "Eason Communication Port Properties" section includes a "Port" dropdown set to "2", an unchecked "Autobaud" checkbox, a "Baud" dropdown set to "19200", a "Timeout" field set to "1500", a "Parity" dropdown set to "E", and a "Send Delay" field set to "0". At the bottom are "OK", "Cancel", and "Apply" buttons.

Set RS422 Multidrop:



The screenshot shows the "PLC Properties" dialog box with the "Multidrop" tab selected. The "Multidrop" dropdown menu is set to "RS-422". At the bottom are "OK", "Cancel", and "Apply" buttons.

Set Up Eason Registers: Click on “SETUP – REGISTERS” and the tag table will appear. Add several tags, sourced to Yaskawa MEMOBUS driver. Also add the address of the Yaskawa variable. Depending on the address, the TYPE field will automatically be filled.

PLC Contact and Tag Setup					
	Tag Name	Source	Address	Type	Default
1	MV201	Yaskawa MEMOBUS [1] on	MV00201	Word	0
2	ML223	Yaskawa MEMOBUS [1] on	ML00223	Double Word	0
3	MF234	Yaskawa MEMOBUS [1] on	IB0	Bit	0
4	MB2030	Yaskawa MEMOBUS [1] on	MB002030	Bit	0
5	MB2031	Yaskawa MEMOBUS [1] on	MB002031	Bit	0
6	MB02032	Yaskawa MEMOBUS [1] on	MB002032	Bit	0
7	MB02033	Yaskawa MEMOBUS [1] on	MB002033	Bit	0
8	MB02034	Yaskawa MEMOBUS [1] on	MB002034	Bit	0
9	MB02035	Yaskawa MEMOBUS [1] on	MB002035	Bit	0
10	MB02036	Yaskawa MEMOBUS [1] on	MB002036	Bit	0
11	MB02037	Yaskawa MEMOBUS [1] on	MB002037	Bit	0
12	MB02038	Yaskawa MEMOBUS [1] on	MB002038	Bit	0
13	MB02039	Yaskawa MEMOBUS [1] on	MB002039	Bit	0
14	MB0203A	Yaskawa MEMOBUS [1] on	MB00203A	Bit	0
15	MB0203B	Yaskawa MEMOBUS [1] on	MB00203B	Bit	0
16	MB0203C	Yaskawa MEMOBUS [1] on	MB00203C	Bit	0
17	MB0203D	Yaskawa MEMOBUS [1] on	MB00203D	Bit	0
18	MB0203E	Yaskawa MEMOBUS [1] on	MB00203E	Bit	0
19	MV32766	Yaskawa MEMOBUS [1] on	MV32767	Word	0
20	ML32767	Yaskawa MEMOBUS [1] on	ML32767	Double Word	0
21	MF300	Yaskawa MEMOBUS [1] on		Word	0

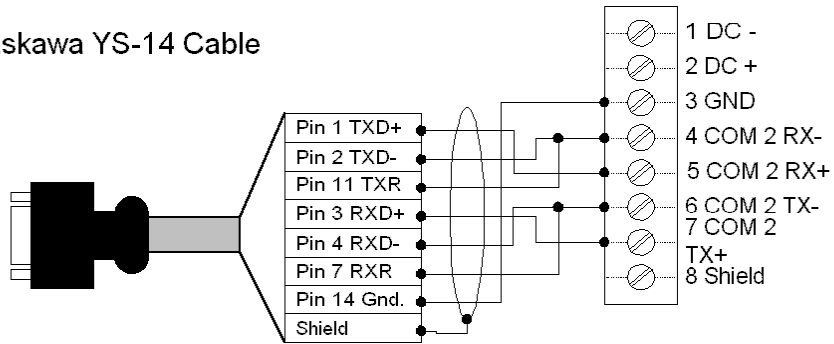
Properties New Tag Delete Tag Ok Cancel Double click on column headings to sort

Wire up Eason & Yaskawa:

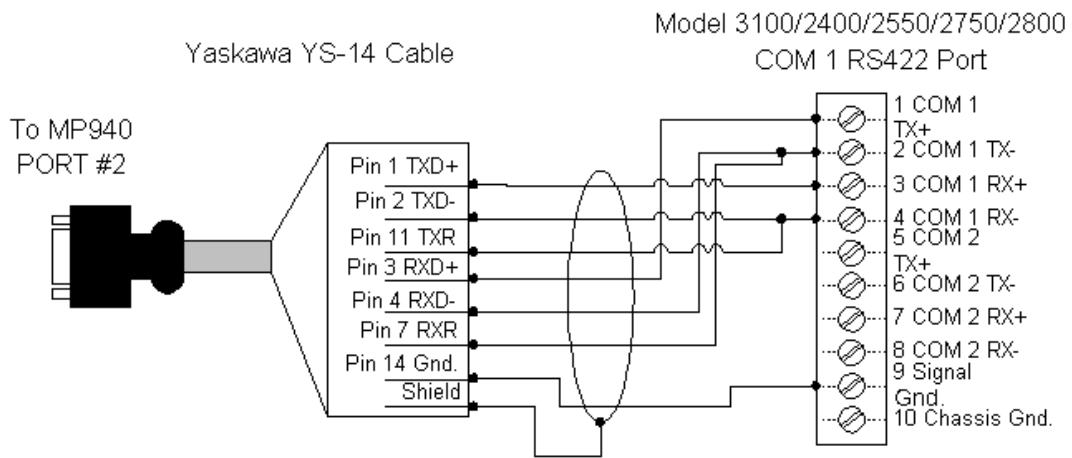
RS422 Mode Connecting MP940 to Eason 2300/2500

Model 2300/2500
COM 2 RS422 Port

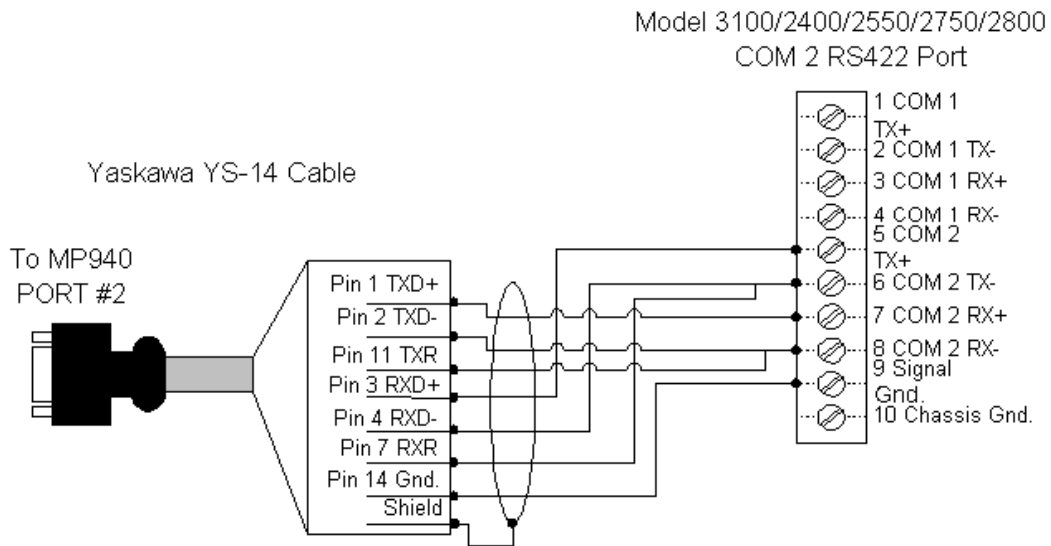
Yaskawa YS-14 Cable



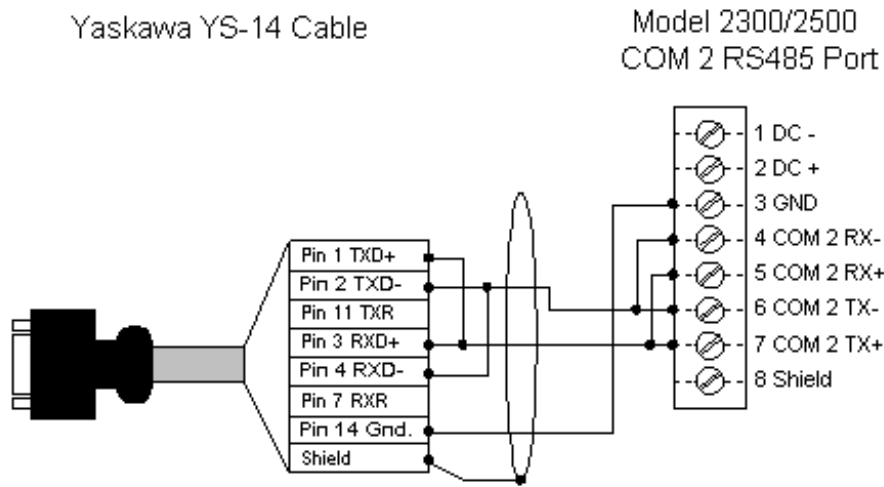
RS422 Mode Connecting MP940 to Eason COM 1 3100/2400/2550/2750/2800



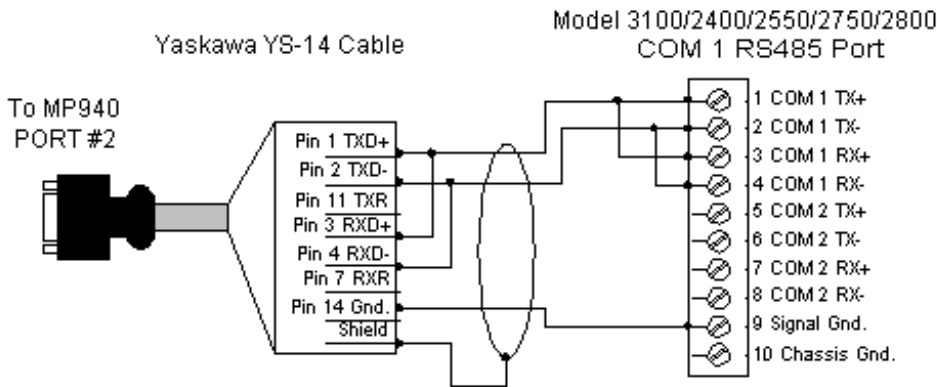
RS422 Mode Connecting MP940 to Eason COM 2 3100/2400/2550/2750/2800



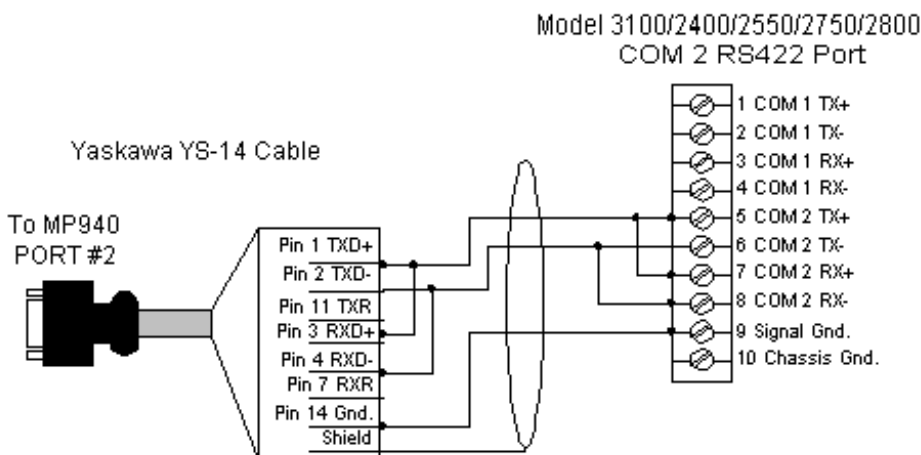
RS485 Mode Connecting MP940 to Eason 2300/2500



RS485 Mode Connecting MP940 to Eason COM 1 3100/2400/2550/2750/2800



RS485 Mode Connecting MP940 to Eason COM 2 3100/2400/2550/2750/2800



Yaskawa MP940 Multidrop Wiring:

Yaskawa MP940 port 2

